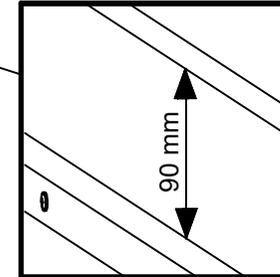
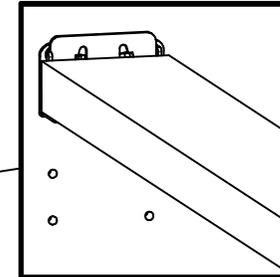
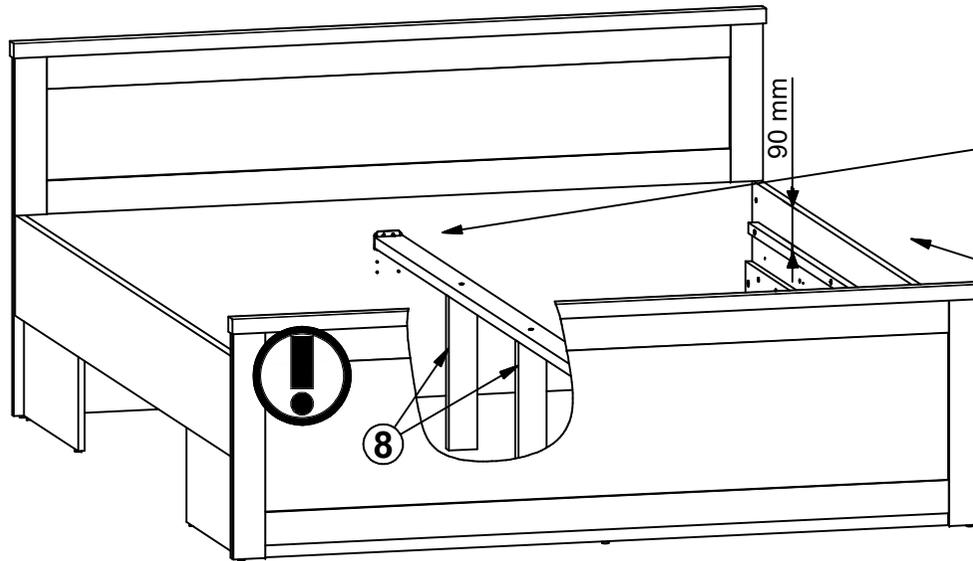
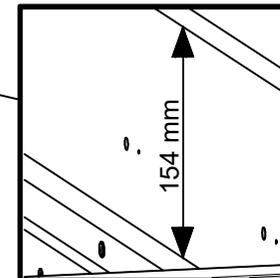
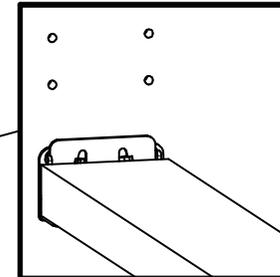
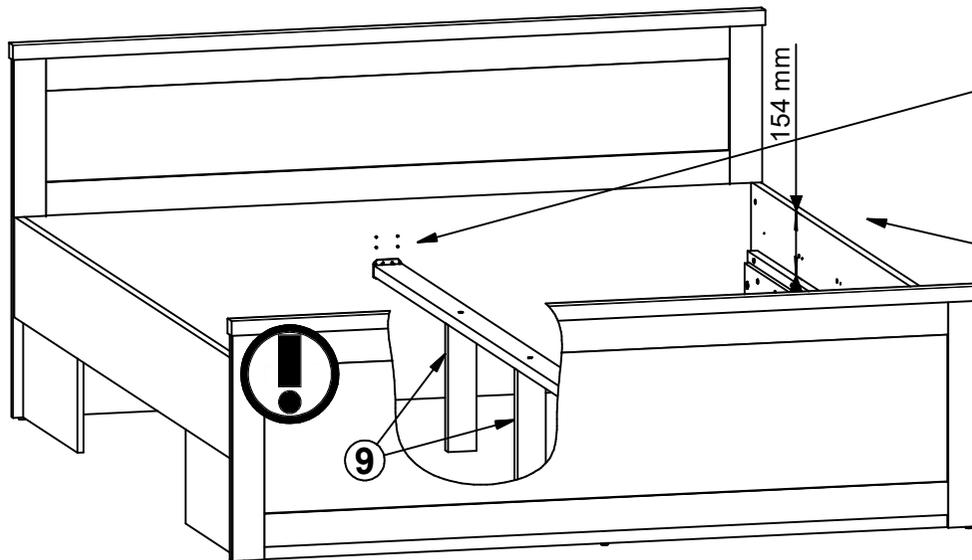




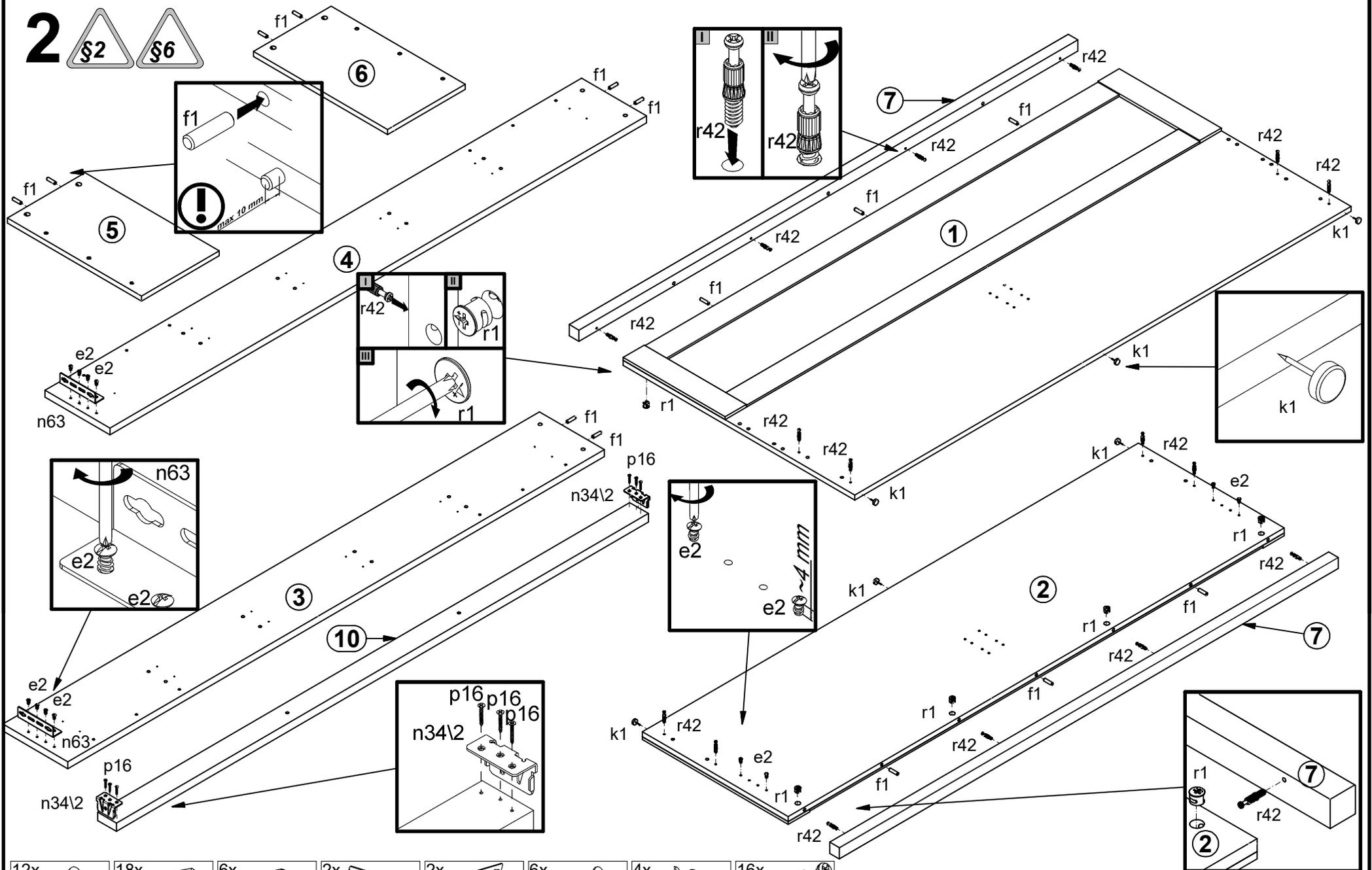
1A

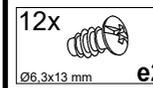
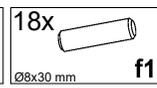
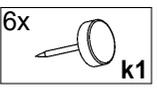
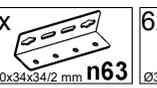
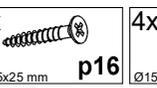
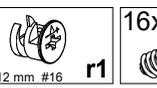
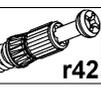


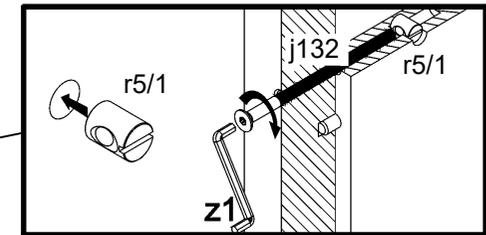
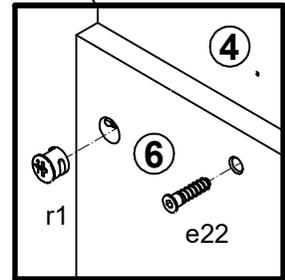
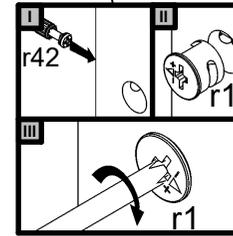
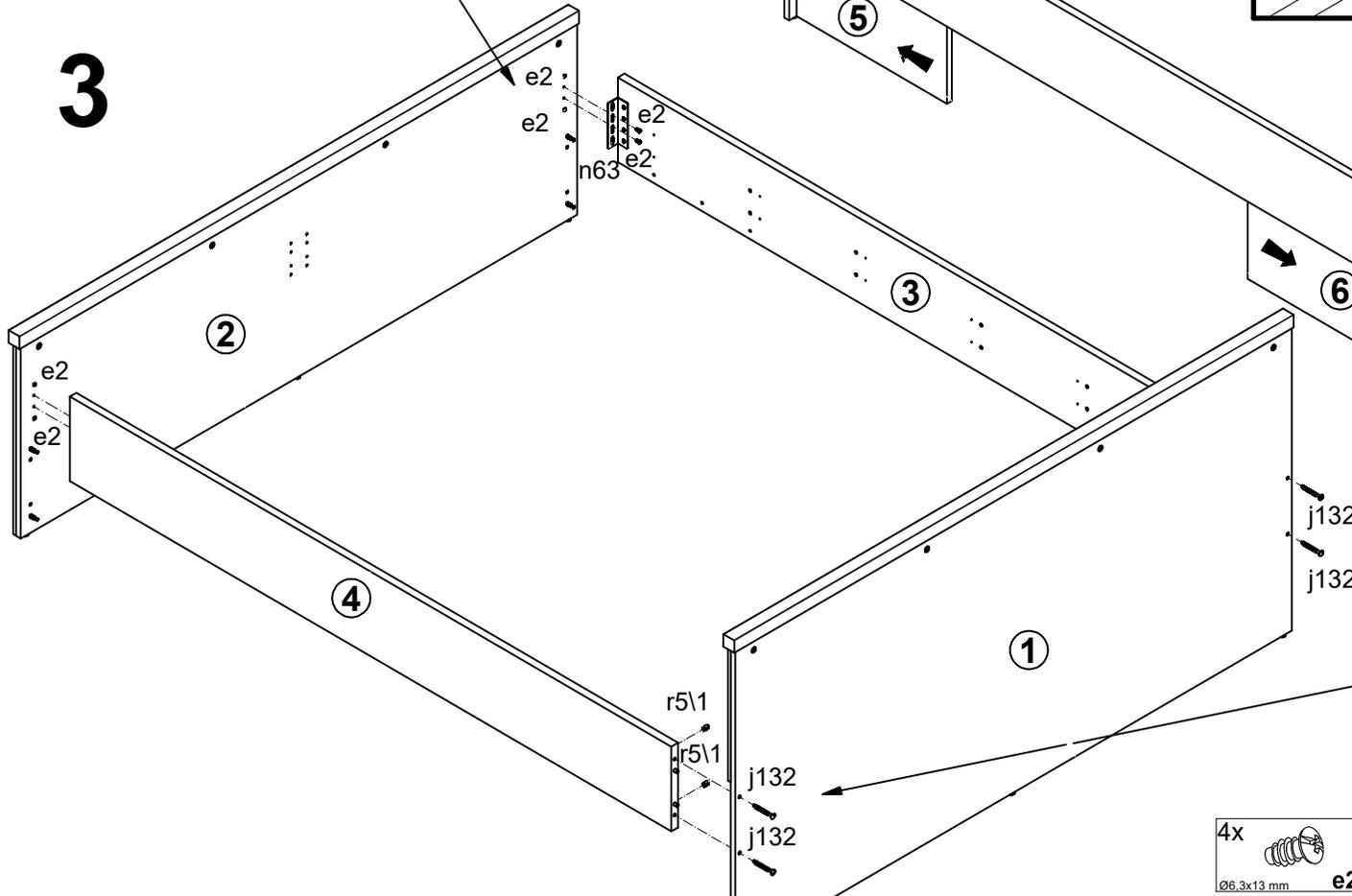
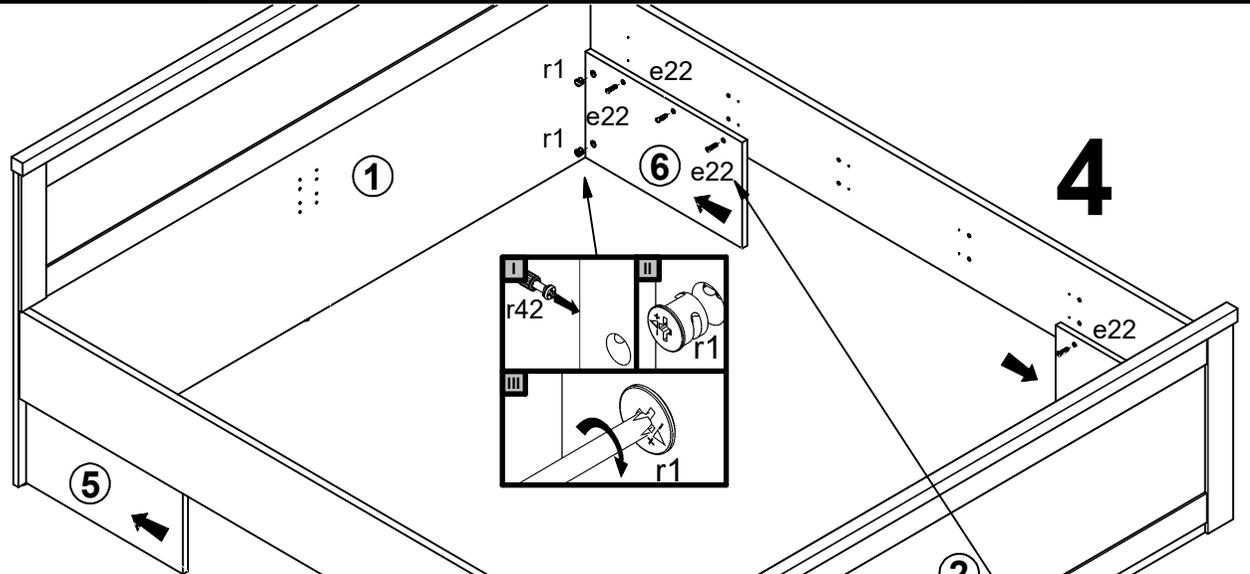
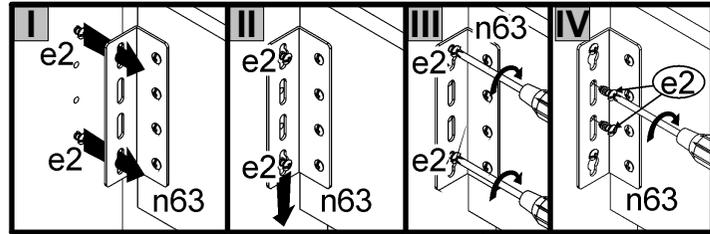
B



2  

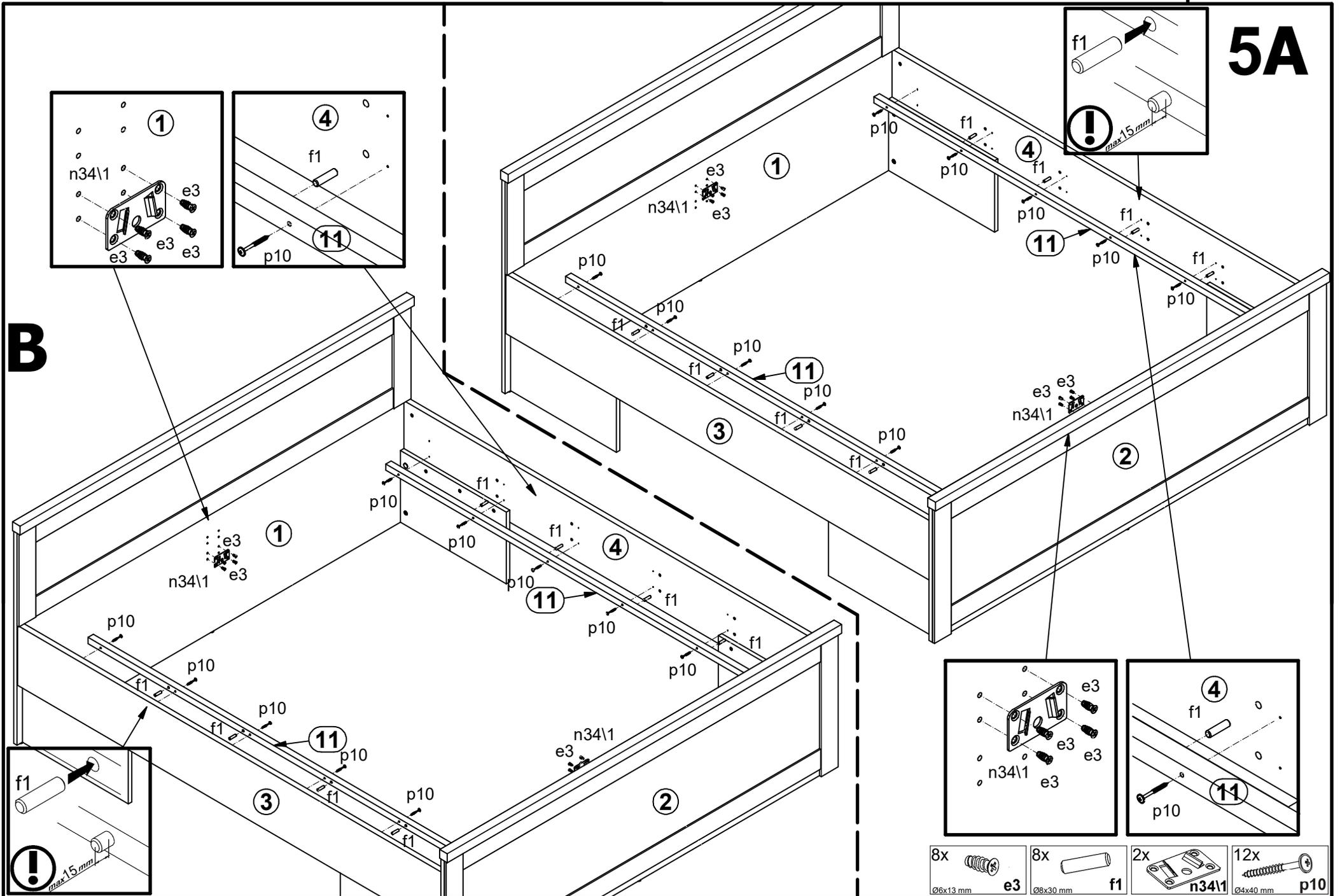


-  12x  $\varnothing 6,3 \times 13$  mm e2
-  18x  $\varnothing 8 \times 30$  mm f1
-  6x k1
-  2x n34\2
-  2x 130x34x34/2 mm n63
-  6x  $\varnothing 3,5 \times 25$  mm p16
-  4x  $\varnothing 15 \times 12$  mm #16 r1
-  16x r42



- 4x  $\varnothing 6,3 \times 13$  mm e2
- 12x  $\varnothing 7 \times 28$  mm e22
- 4x M6x65 mm j132
- 8x  $\varnothing 15 \times 12$  mm #16 r1
- 4x  $\varnothing 10 \times 13$  mm r5/1

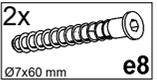
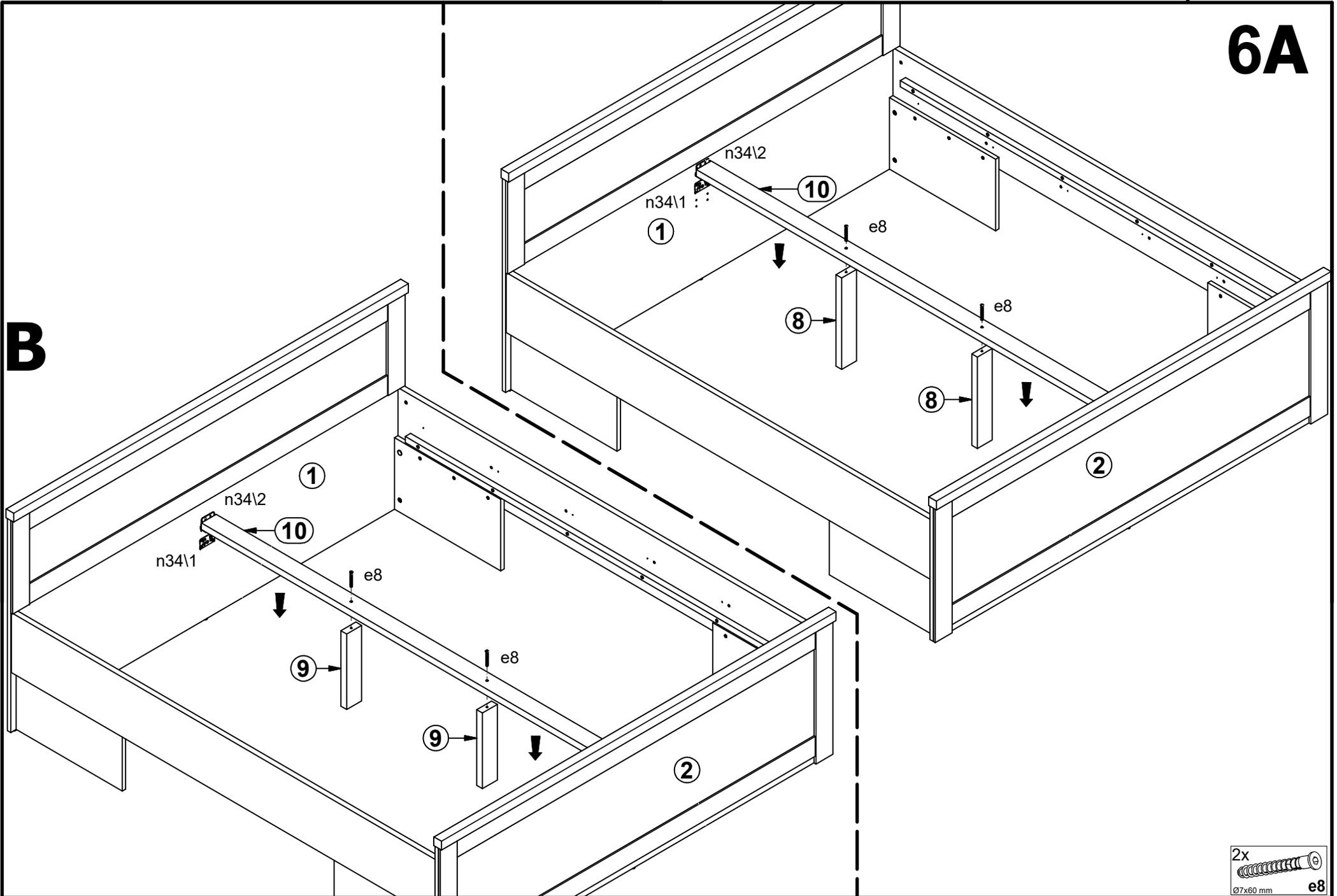
5A



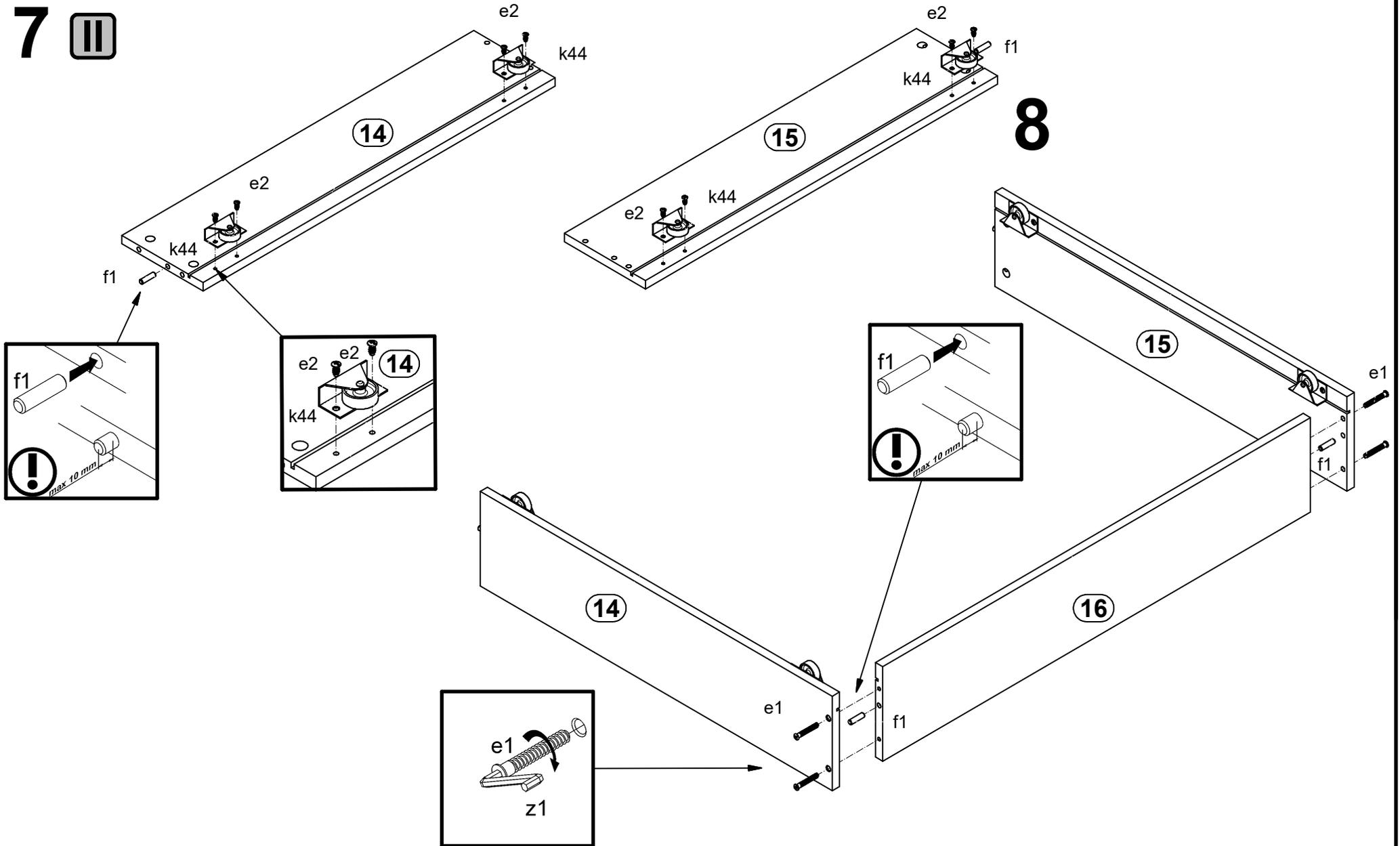
- |                      |                      |             |                        |
|----------------------|----------------------|-------------|------------------------|
| 8x<br>Ø6x13 mm<br>e3 | 8x<br>Ø8x30 mm<br>f1 | 2x<br>n34\1 | 12x<br>Ø4x40 mm<br>p10 |
|----------------------|----------------------|-------------|------------------------|

# 6A

# B



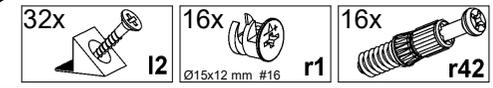
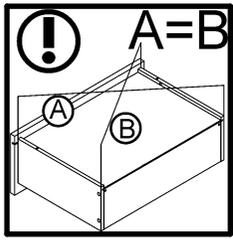
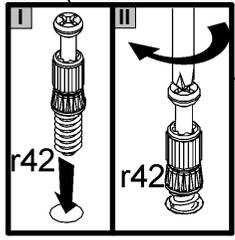
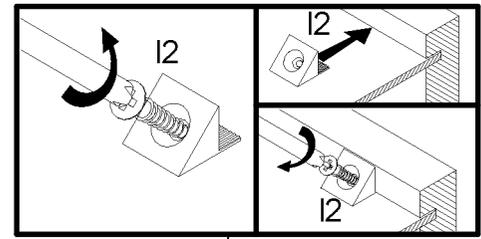
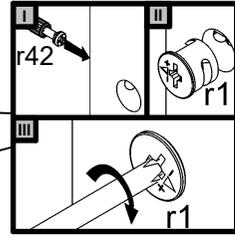
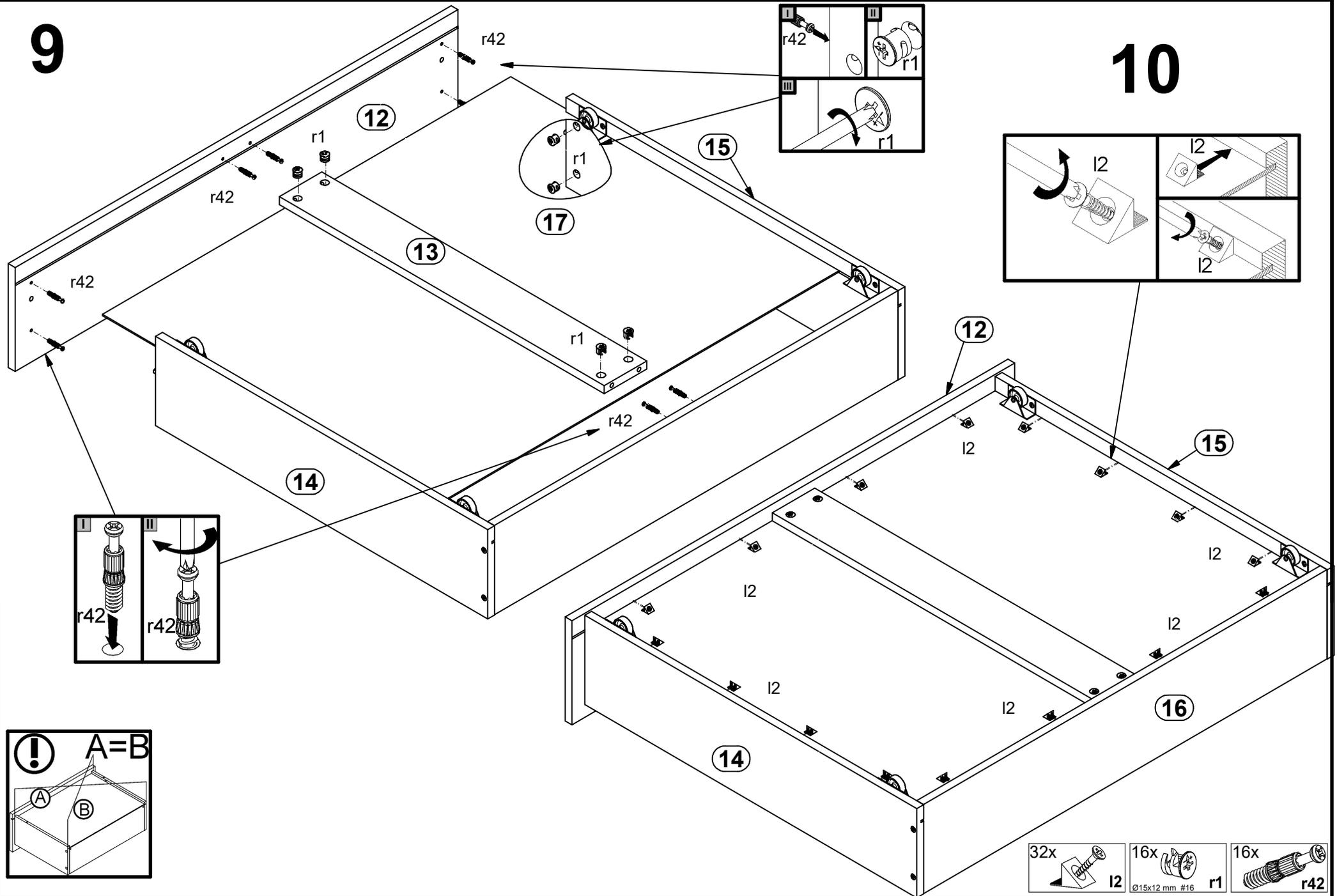
# 7



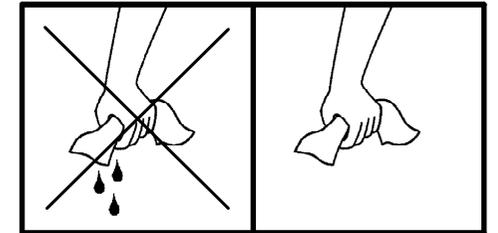
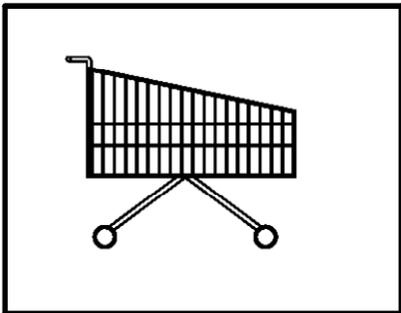
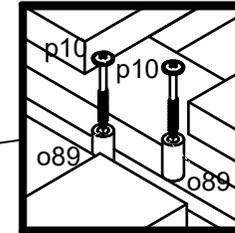
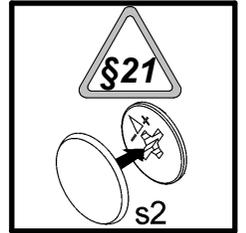
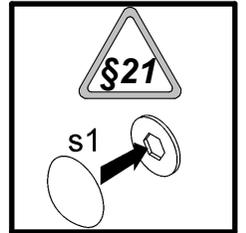
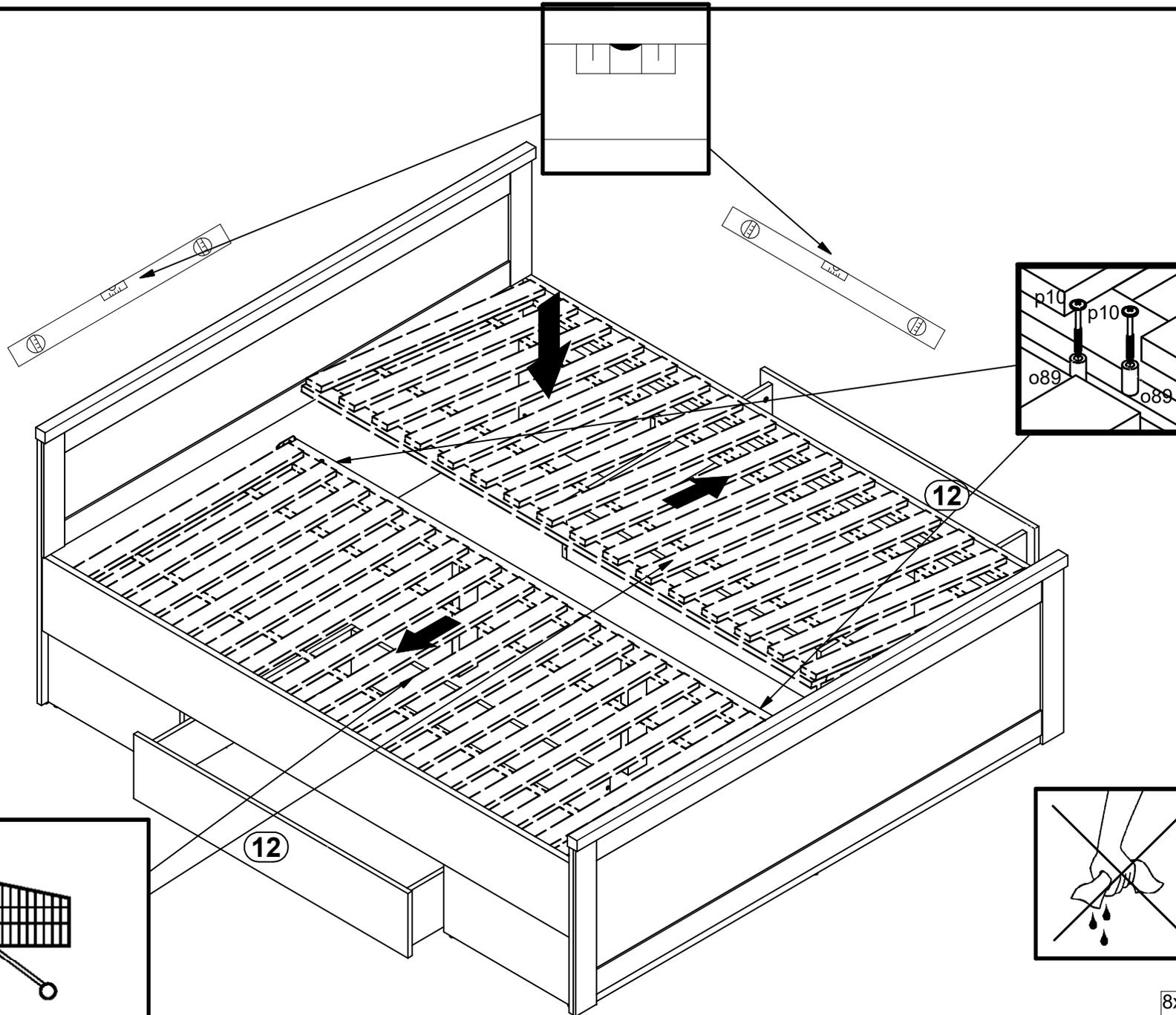
8x Ø7x50 mm e1	16x Ø6.3x13 mm e2	8x Ø8x30 mm f1	8x k44
----------------------	-------------------------	----------------------	-----------

9

10



# 11



8x		s1	12x		s2
				Ø16	